



**ROBRADY**  
design





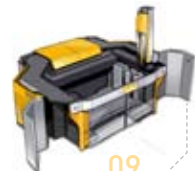
03



05



07



09



35



37



41



45



13



15



17



19



49



53



57



61



23



25



29



31



65



69



73



PROJECT BENCHTOP CONTROLLER  
LIFE SCIENCES BUSINESS UNIT



PRODUCT FAMILY



STACKABLE



STACKABLE



PROJECT PROPORTIONAL VALVE ENCLOSURE  
LIFE SCIENCES BUSINESS UNIT



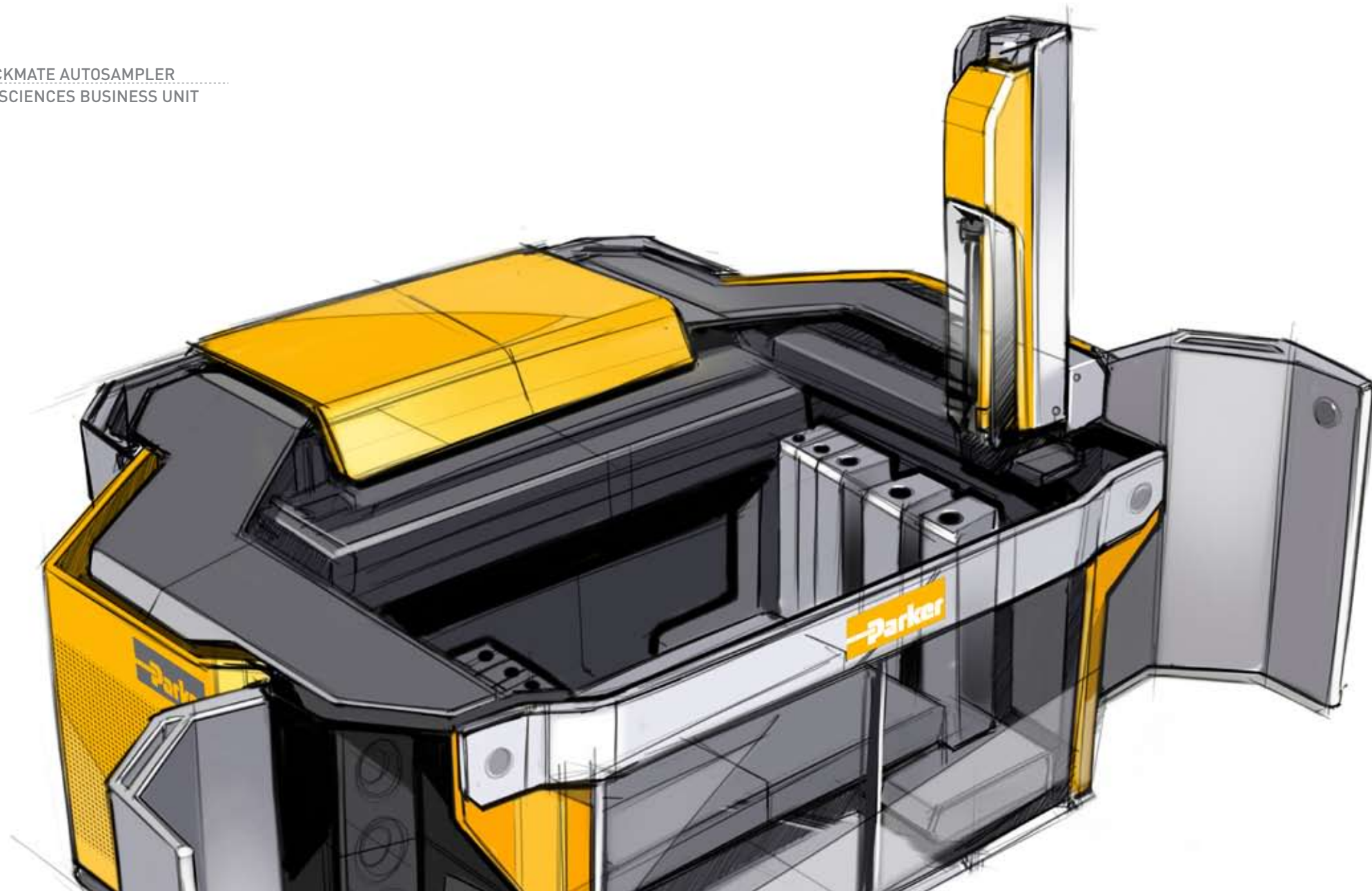
STACKABLE

SOLUTION 2.0

SOLUTION 1.0



PROJECT CHECKMATE AUTOSAMPLER  
LIFE SCIENCES BUSINESS UNIT







TRADESHOW DISPLAY



PROJECT VECTRIX DOCKING STATION  
ENERGY SYSTEMS BUSINESS UNIT



PROJECT FUEL CELL HYBRID  
ENERGY SYSTEMS BUSINESS UNIT







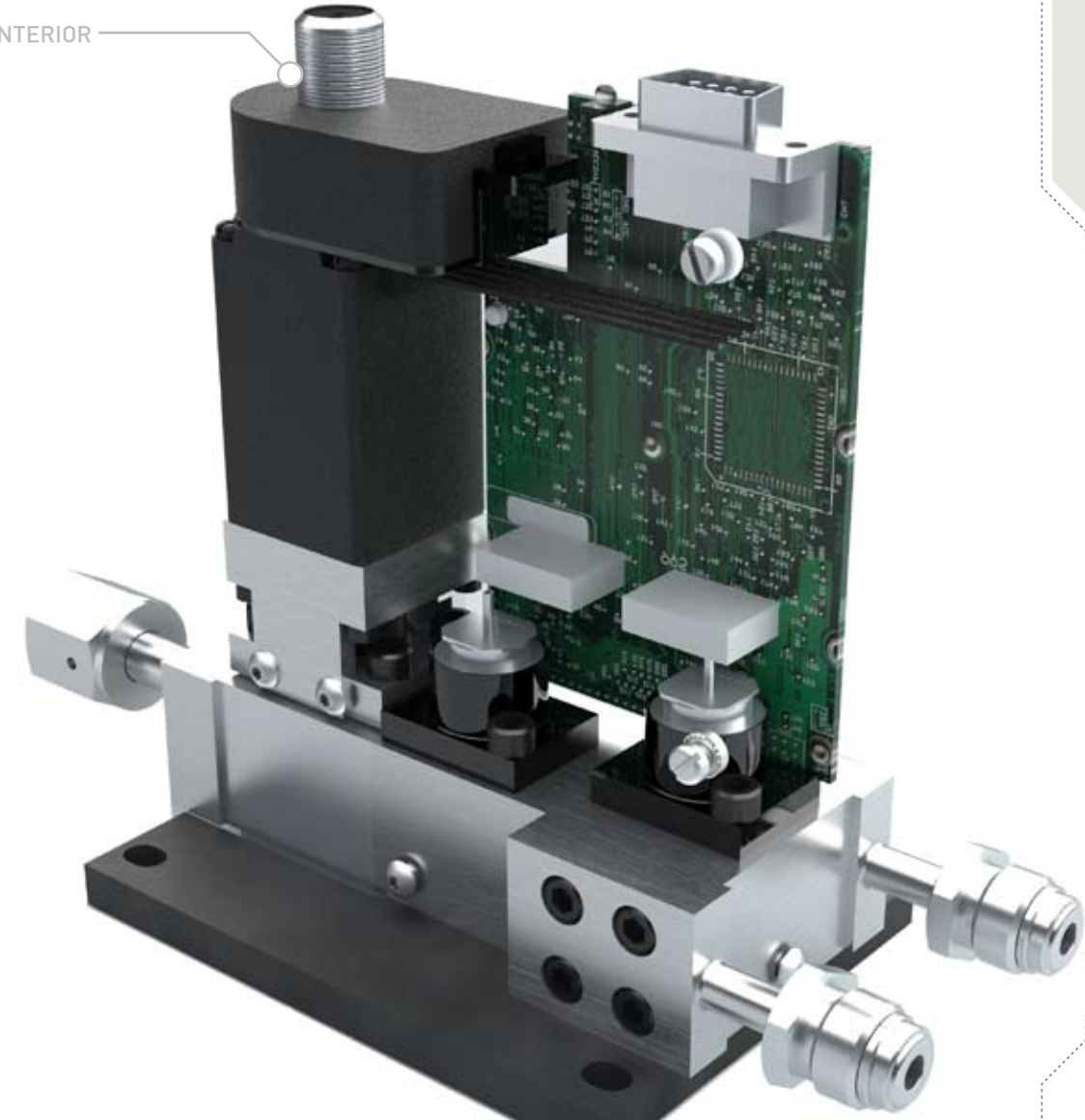
PROJECT FLOW RATIO CONTROLLER  
VERIFLO DIVISION



DESIGN AND  
COST ANALYSIS



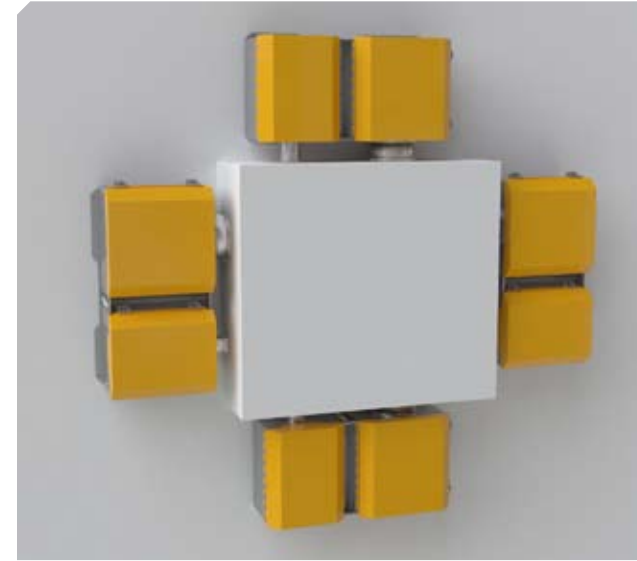
PRODUCT INTERIOR



PROJECT TEFLON VALVES  
VERIFLO DIVISION

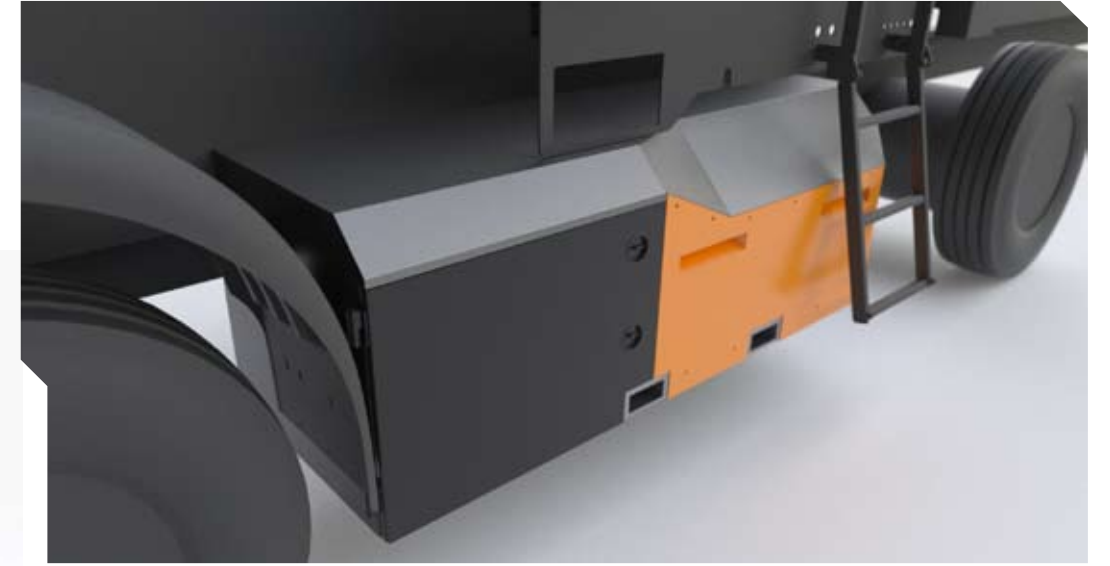




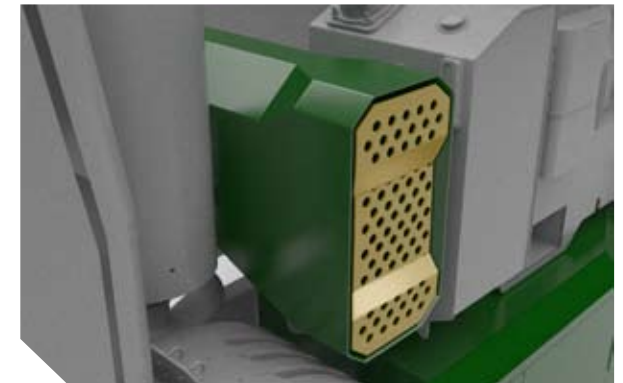
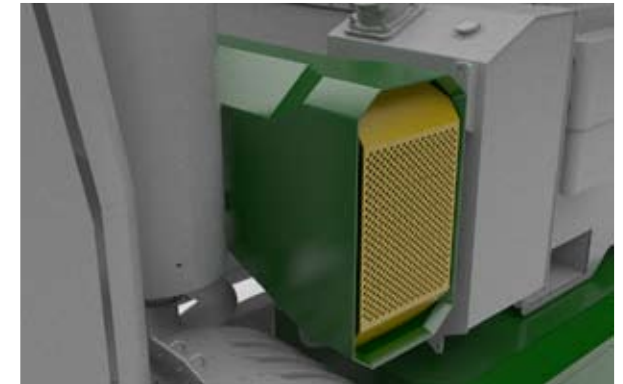
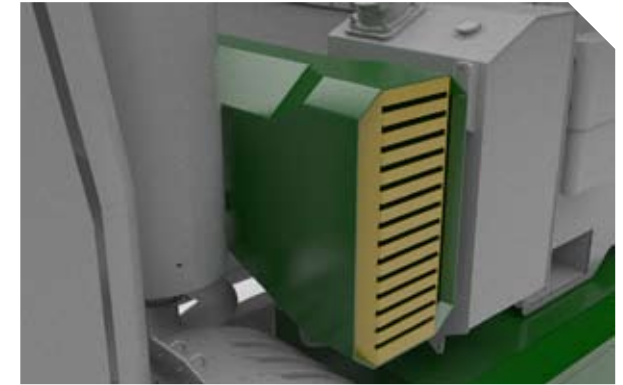
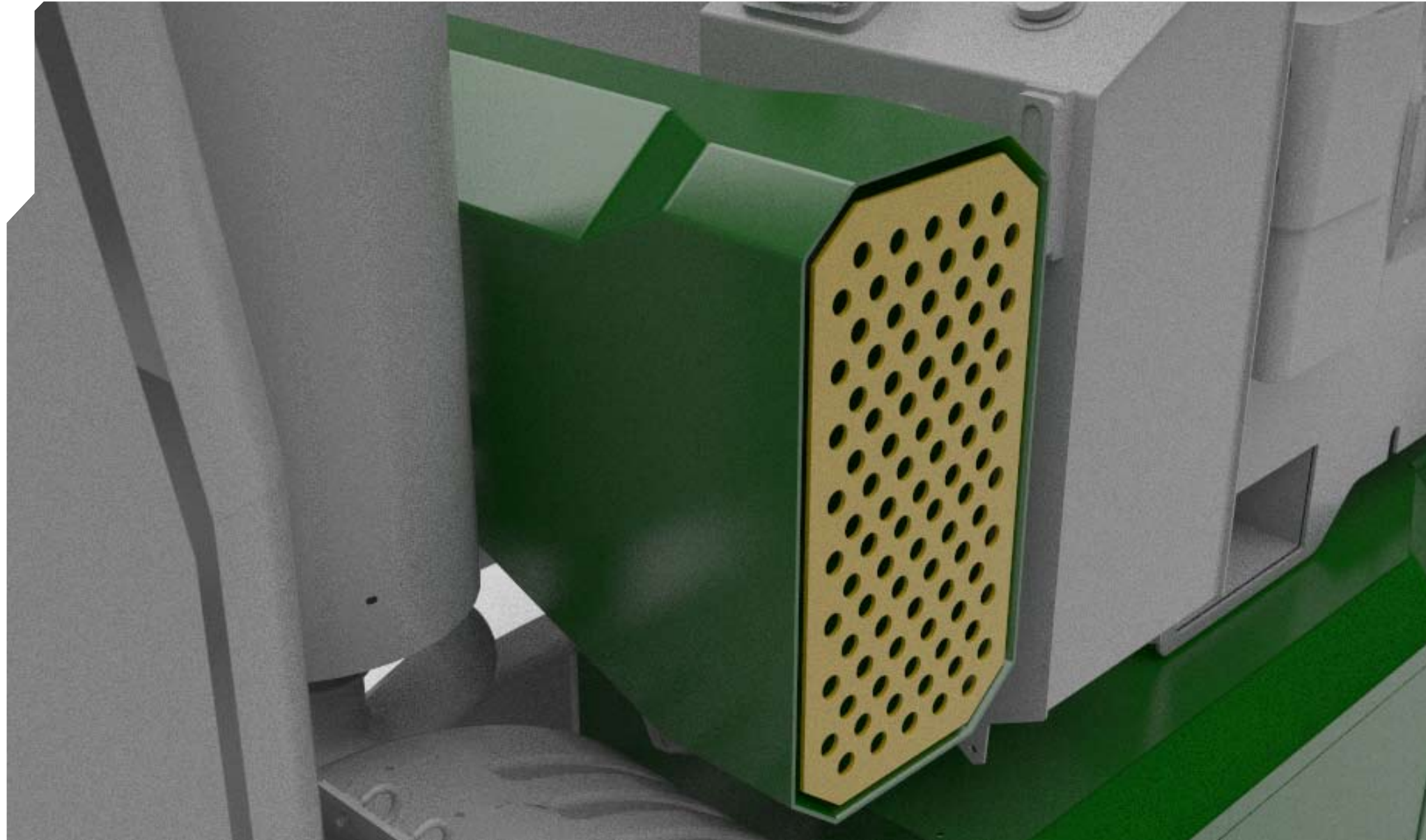






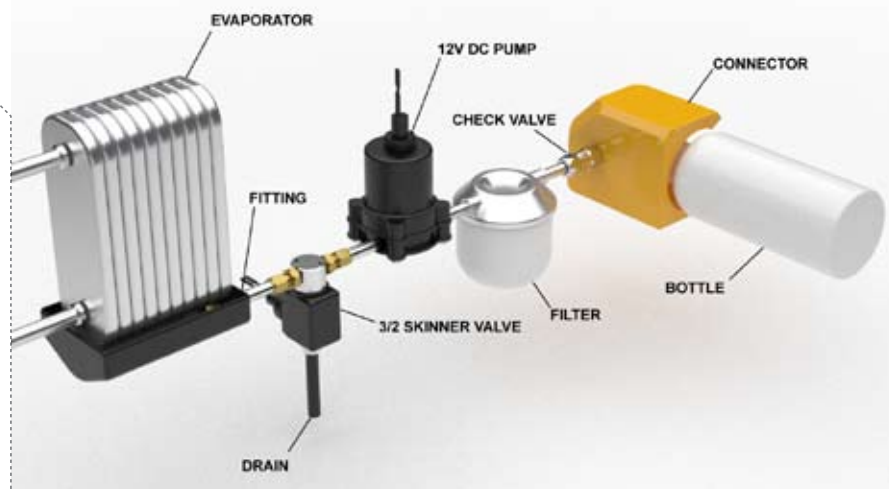


PROJECT OIL COOLER COVER  
CHELSEA PRODUCTS DIVISION



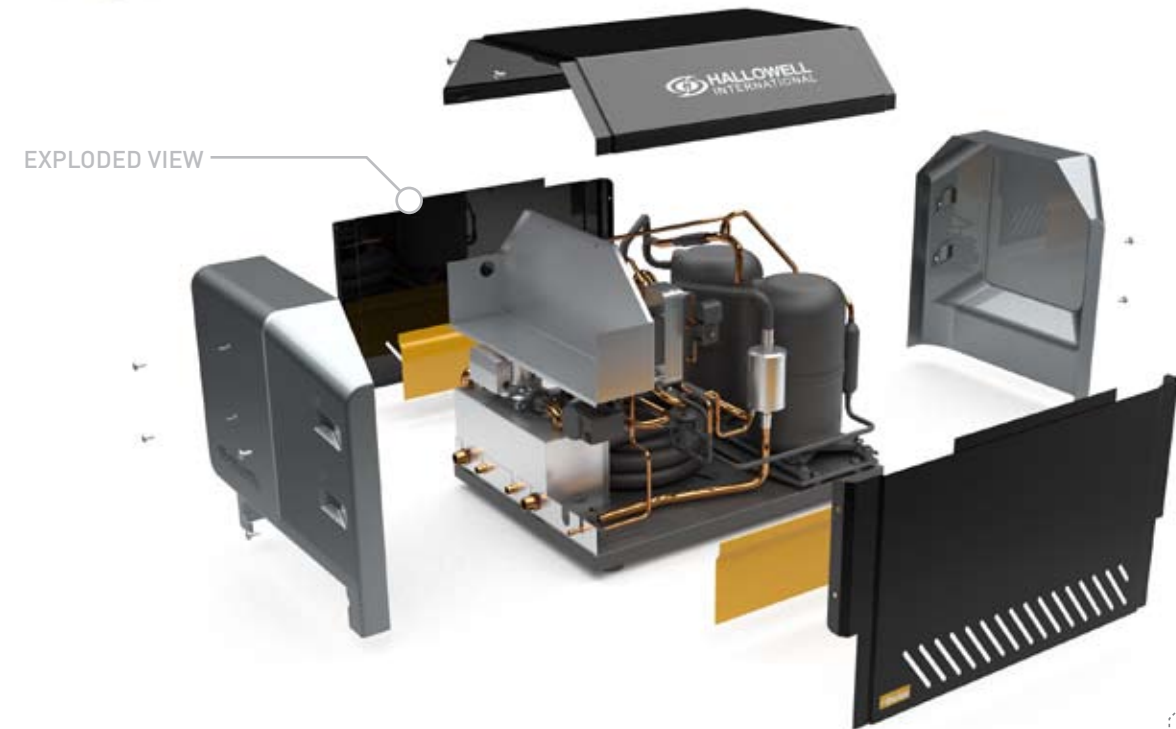
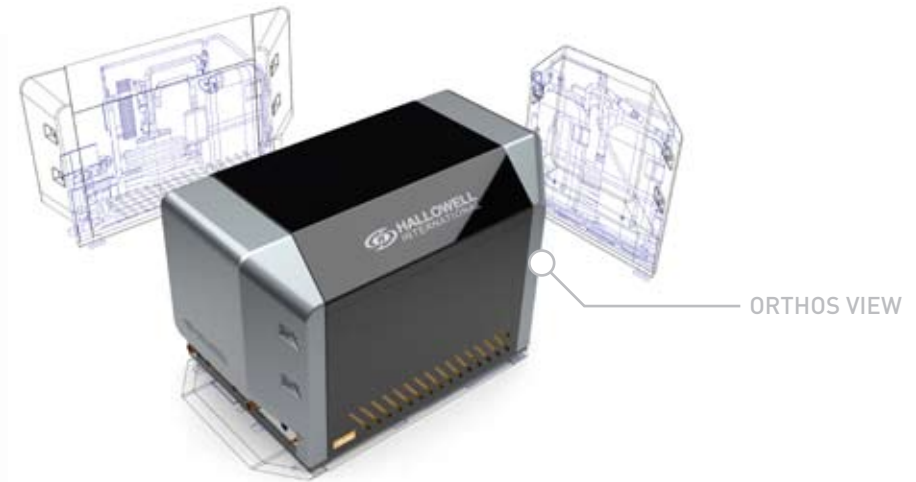


**PROJECT** VEHICLE AIR TO WATER SYSTEM  
PARKER INNOVATION + TECHNOLOGY



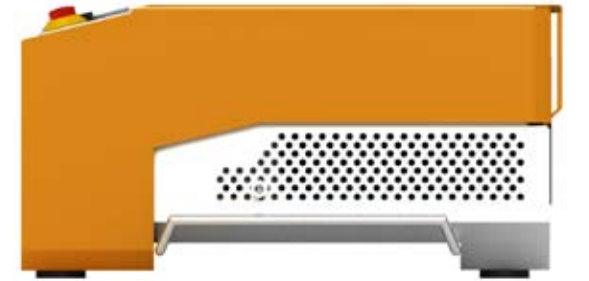


PROJECT GEOTHERMAL  
HYDRONIC CUBE ENCLOSURE





PROJECT EOMAT COMPRESSION ENCLOSURE  
FLUID CONNECTORS GROUP





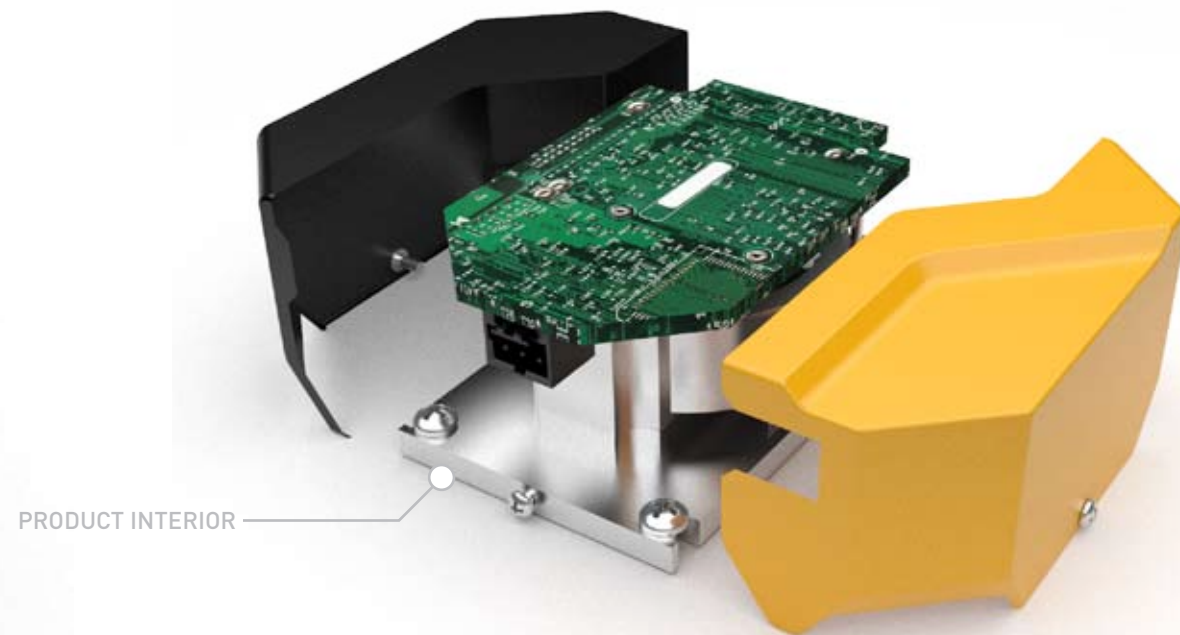




PROJECT  
PIECE VALVE ENCLOSURES  
PARKER PNEUTRONICS DIVISION



PRODUCT FAMILY



PRODUCT INTERIOR



**PROJECT** THERMOSTAT USER INTERFACE  
PARKER CLIMATE INDUSTRIAL  
CONTROLS GROUP





**PROJECT** MARINE STEERING DISPLAY  
TECHNOLOGY COMMERCIALIZATION  
AND SUPPORT

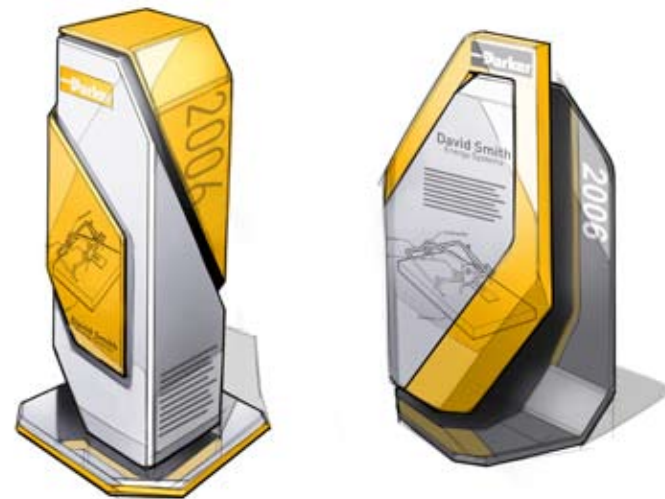








PROJECT MOUSETRAP AWARD  
PARKER CORPORATE





BD  
LASIK SURGERY TOOLS



XTOOLS/SHAKESPEARE FISHING  
FLOATING METAL PLIERS



POLARIS INDUSTRIES  
MSX 150 PWC



XHALE  
SMART SYSTEM



SEGWAY LLC  
i180 HT



GE SECURITY  
TECHNOLOGY SALES KIT



VECTRIX  
ELECTRIC SUPER BIKE



SLEEK AUDIO  
SA6 IN EAR MONITOR



➤ 1040 COMMERCE BLVD N ➤ SARASOTA, FL USA 34243  
➤ P 941.359.6656 ➤ F 941.359.6470  
➤ WWW.ROBRADY.COM



➤ PARKER@ROBRADY.COM  
➤ 888.ROBRADY